

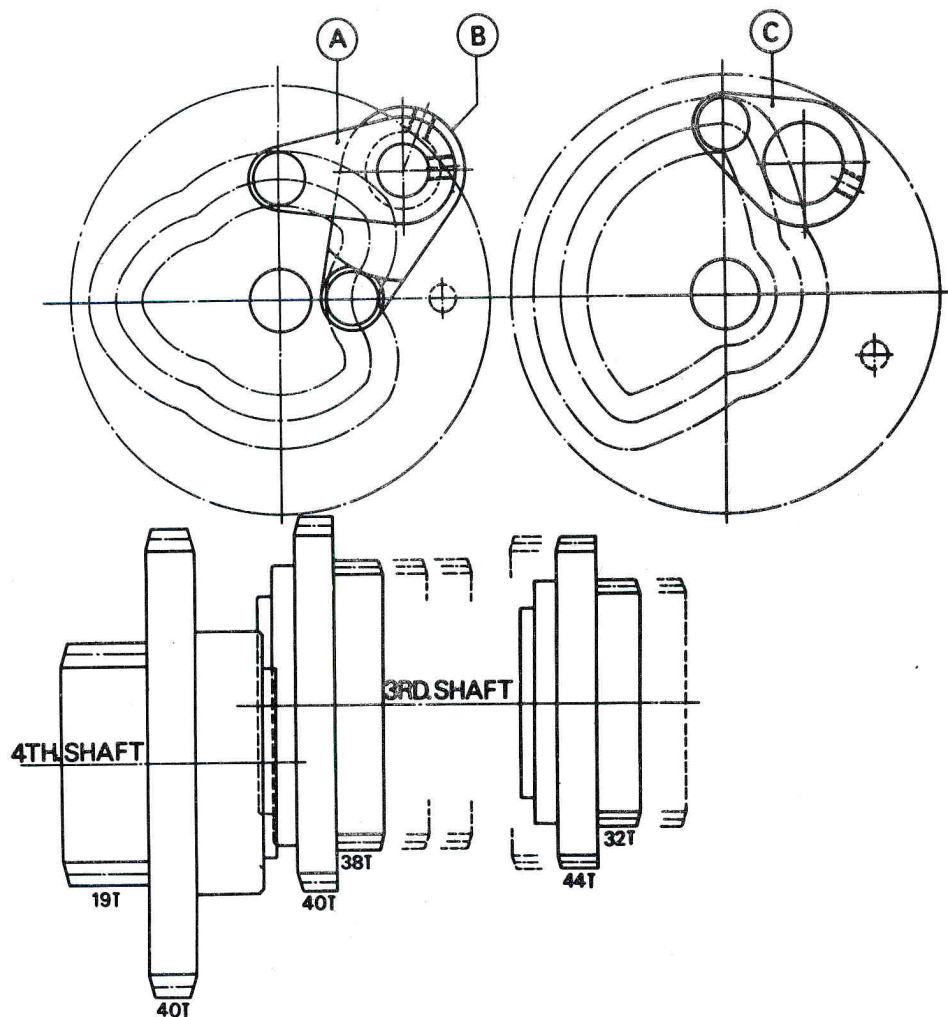
## 11.15 CAM SETTING

If for any reason, e.g. servicing, the cams are disturbed, the following setting-up procedure should be carried out.

The diagram shows the relative position of the cams, when looking from the front of the lathe, and the gears in mesh should be as follows:-

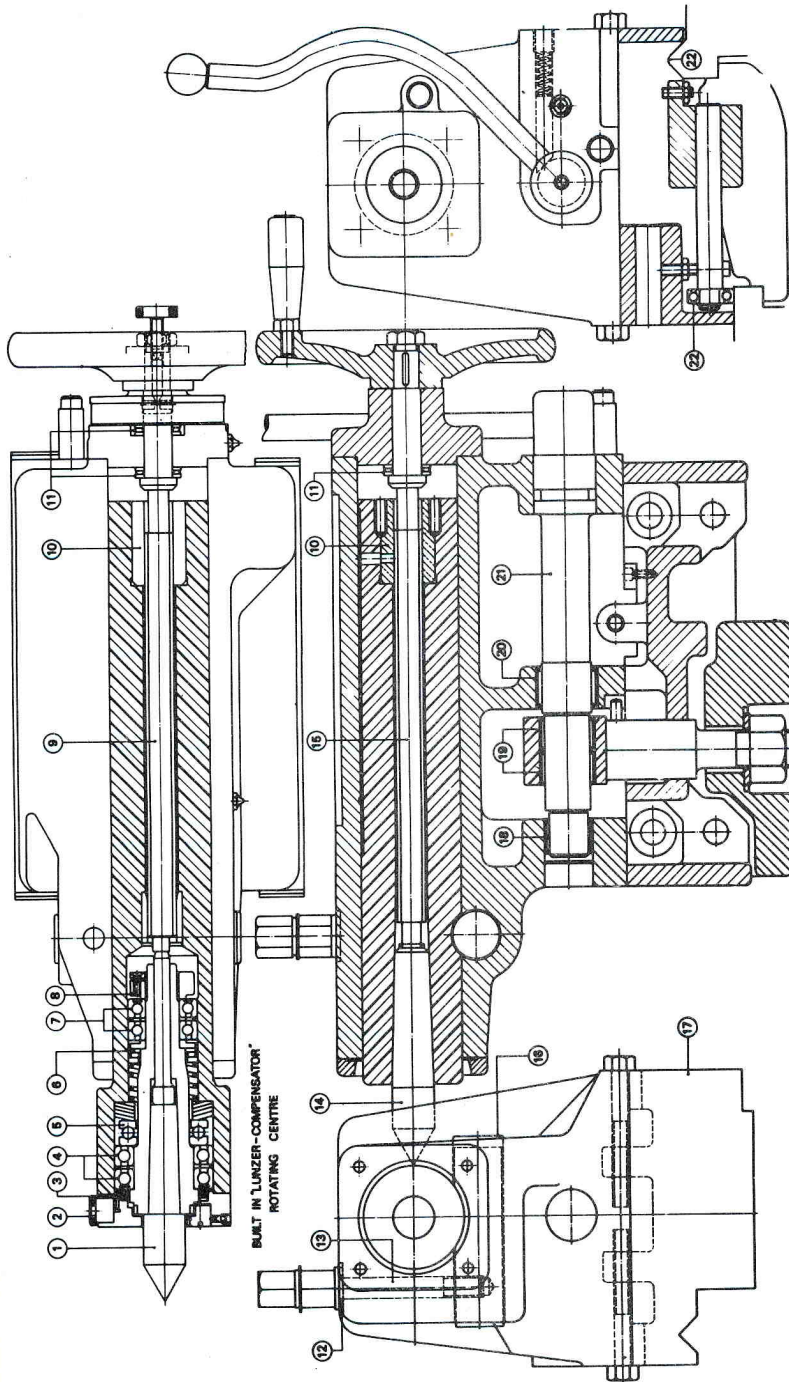
The 19T gear on the fourth shaft, engaged with the 45T gear on the 5th shaft, whilst the 40T gear on the 3rd shaft is engaged with the 18T gear on the 2nd shaft.

The R. H. gear cluster on the 3rd shaft is in the neutral position, this arrangement will give the lowest speed available.



Lever 'A' moves R. H. gear cluster on 3rd shaft.  
Lever 'B' moves L. H. gear cluster on 3rd shaft.  
Lever 'C' moves gear cluster on 4th shaft.

PLEASE STATE MACHINE SERIAL NUMBER, SHEET NUMBER AND ITEM NUMBER.



## 11.2 SPARE PARTS LIST FOR TAILSTOCK

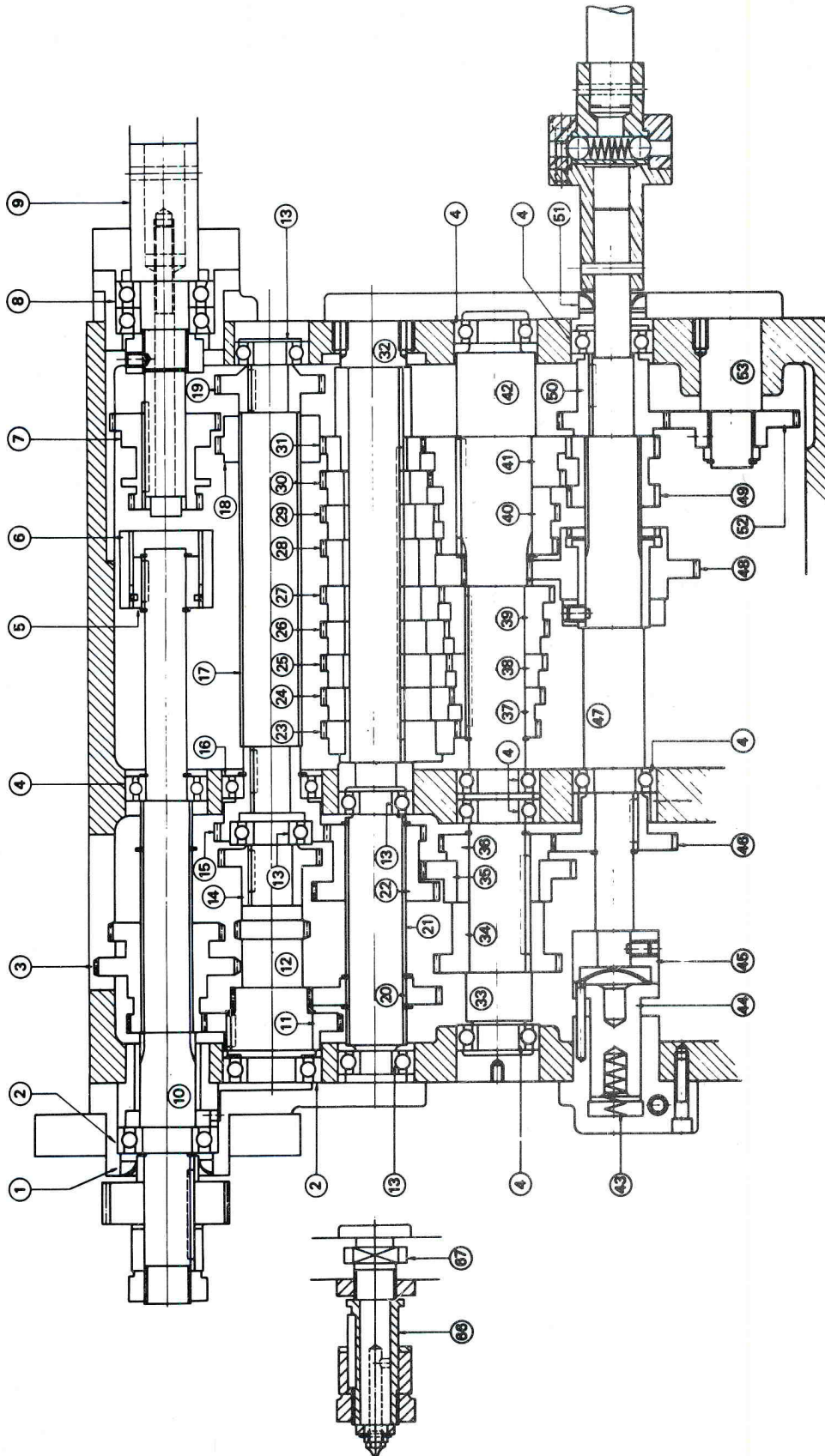
ALL FIXING SCREWS ARE STD. WHITWORTH OR B. S. F. THREAD

- |     |  |     |  |
|-----|--|-----|--|
| 1.  | Built-in revolving centres (see list)              | 12. | Torrington bearing N.T.A. 1018, & races TRA. 1018. |
| 2.  | Load/speed indicator.                              | 13. | Locking screw for tailstock spindle.               |
| 3.  | Oil seal. George Angus G. P. S. 2351 - Galon.      | 14. | Standard centre.                                   |
| 4.  | Bearings S. K. F. 6009, 6009 - R. S. A.            | 15. | Standard tailstock screw, no dial fitted.          |
| 5.  | Bearing S. K. F. 51208.                            | 16. | Lock pad.  |
| 6.  | Bearing I. N. A. 3552.                             | 17. | Tailstock shoe.                                    |
| 7.  | Bearings S. K. F. 6205, 6205-R. S. A.              | 18. | Torrington bearing F. 3026.                        |
| 8.  | Locknut.   | 19. | Torrington bearings F. 3526 (2 off)                |
| 9.  | Tailstock screw, when dial fitted.                 | 20. | Torrington bearing B. 2420.                        |
| 10. | Tailstock screw nut.                               | 21. | Eccentric shaft.                                   |
| 11. | Torrington bearing N.T.A. 1423, & races TRD. 1423. | 22. | Hoff bearings No. 115.                             |

# 11.3 SPARE PARTS LIST FOR GEARBOX

PLEASE STATE MACHINE SERIAL NUMBER, SHEET NUMBER AND ITEM NUMBER.

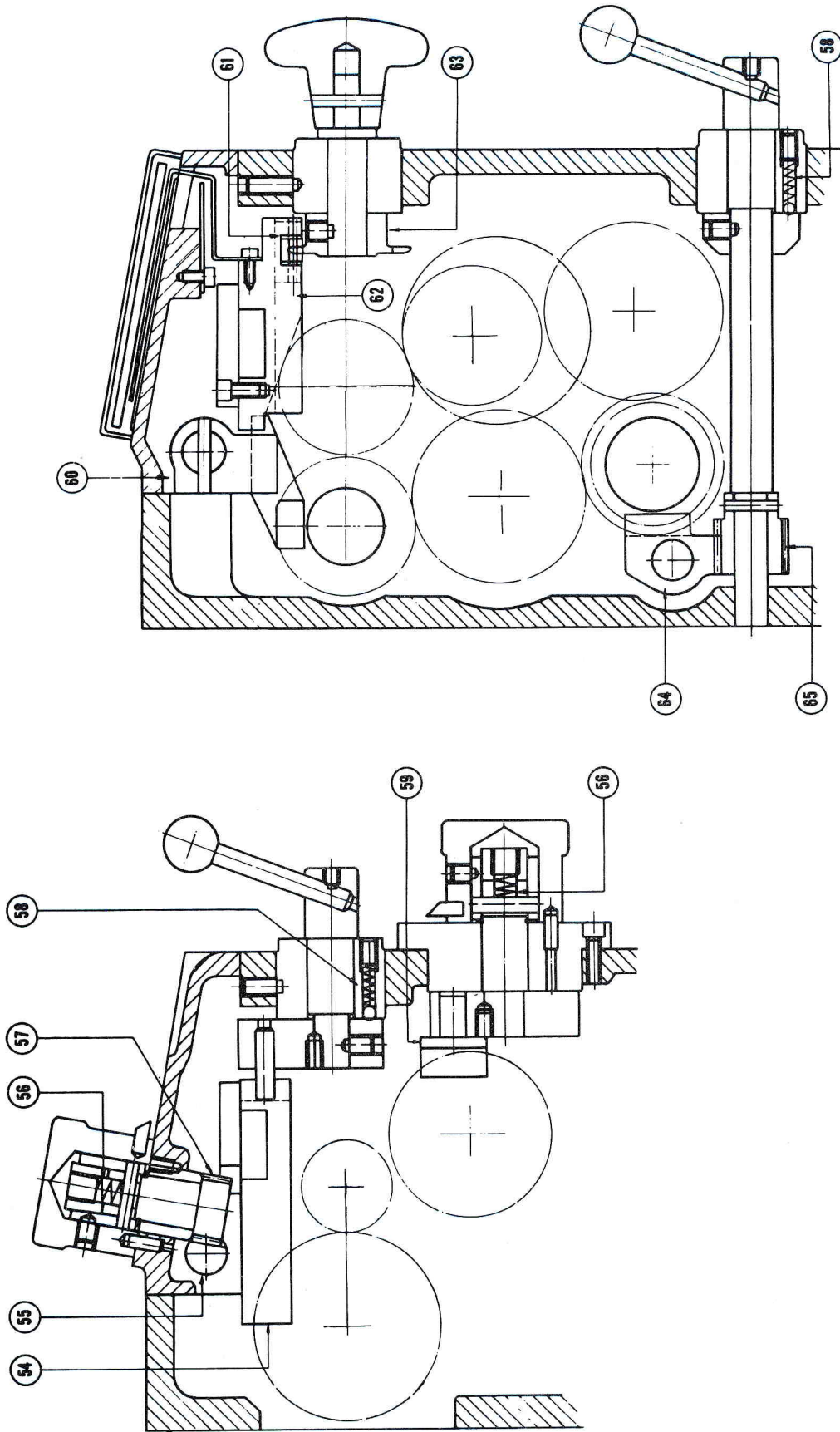
FOR PARTS LIST SEE SECTION 11.32.



ALL FIXING SCREWS ARE STANDARD WHITWORTH OR B.S.F. THREAD.

PLEASE STATE MACHINE SERIAL NUMBER, SHEET NUMBER AND ITEM NUMBER.

FOR PARTS LIST SEE SECTION 11.32



### 11.31 SPARE PARTS LIST FOR GEARBOX continued

ALL FIXING SCREWS ARE STD. WHITWORTH OR B.S.F. THREAD.